

13.35 Permanent Magnetic block type VM110

Heavy duty construction, Waterproof construction

Applications

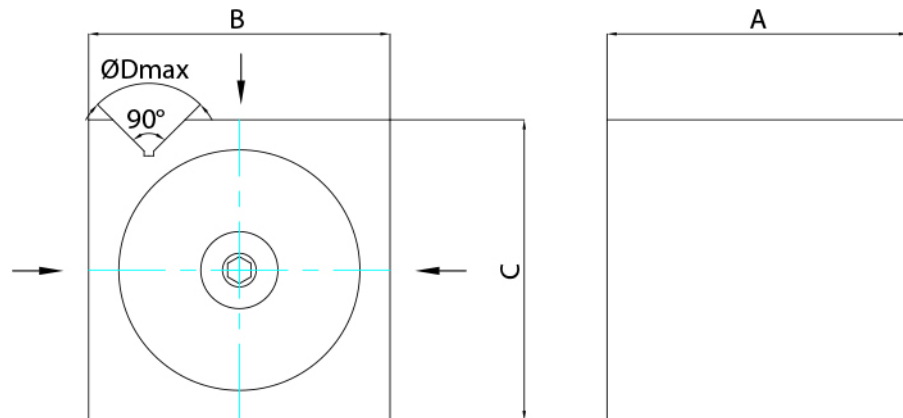
Grinding , EDM , Machining , Positionning

Construction

. 4 active faces (vee, top, 2 sides) . Stable construction, can be used with coolant .
 Vees in X and Y axes . ON/OFF switch Included with purchase: - A= 80/125/180 =
 with removable Allen key (13.35.xx) - A= 100/150 = with integrated actuating
 key (13.35S.xx)



Art.-N°13.35		Diagram below: dimensions in mm				
Product	Weight	A	B	C	D	E
13.35.80	3,5	80	80	80	Ø08-25	12daN
13.35.125	14,0	125	125	125	Ø10-38	30daN
13.35.180	37,0	180	180	180	Ø14-50	40daN
13.35S.100	6,3	100	100	100	Ø26	30daN
13.35S.150	21,3	150	150	150	Ø32	60daN



All right reserved to change construction and dimensions without notice - Print date :

Bridage, Magnétisme & Systèmes Sarl - 120 rue Jean Jaurès - F 92300 Levallois Perret
 Tél. 33 (0)1 80 87 61 69 - Fax 33 (0)1 80 87 61 70 - info@bms-industrie.com - www.bms-industrie.com