

## 60.08 Electromagnetic overbands

### Motorised

**High holding power, Long service life, Heavy duty & compact construction, Strong motor**

#### Applications

Protection , Separation

#### Construction

The latest generation of overband with very heavy duty construction . 10 types of power . distance of working: from 150 to 580 mm . axial or transversal working . homogeneous magnetic field . totally waterproof . air or oil refresh . minimal maintenance Ask us how we can help with your application!

Voltage 220 VDC

Duty cycle 100 %

#### OPTIONS :

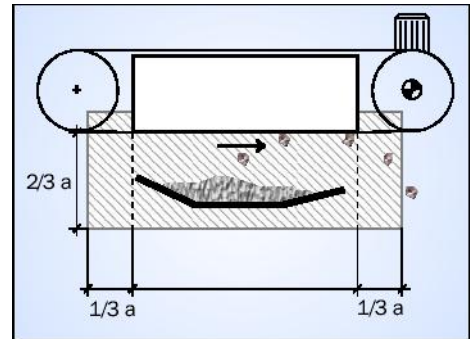
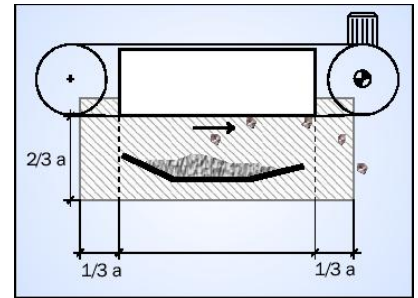
Possible execution :

for explosive environment according ATEX 95

with oil tank to eliminate heat

different types of belts

different types of motors



All right reserved to change construction and dimensions without notice - Print date :